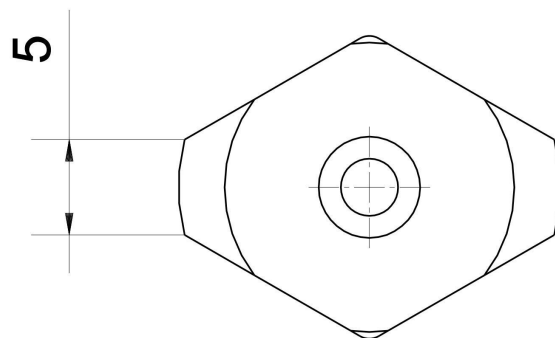
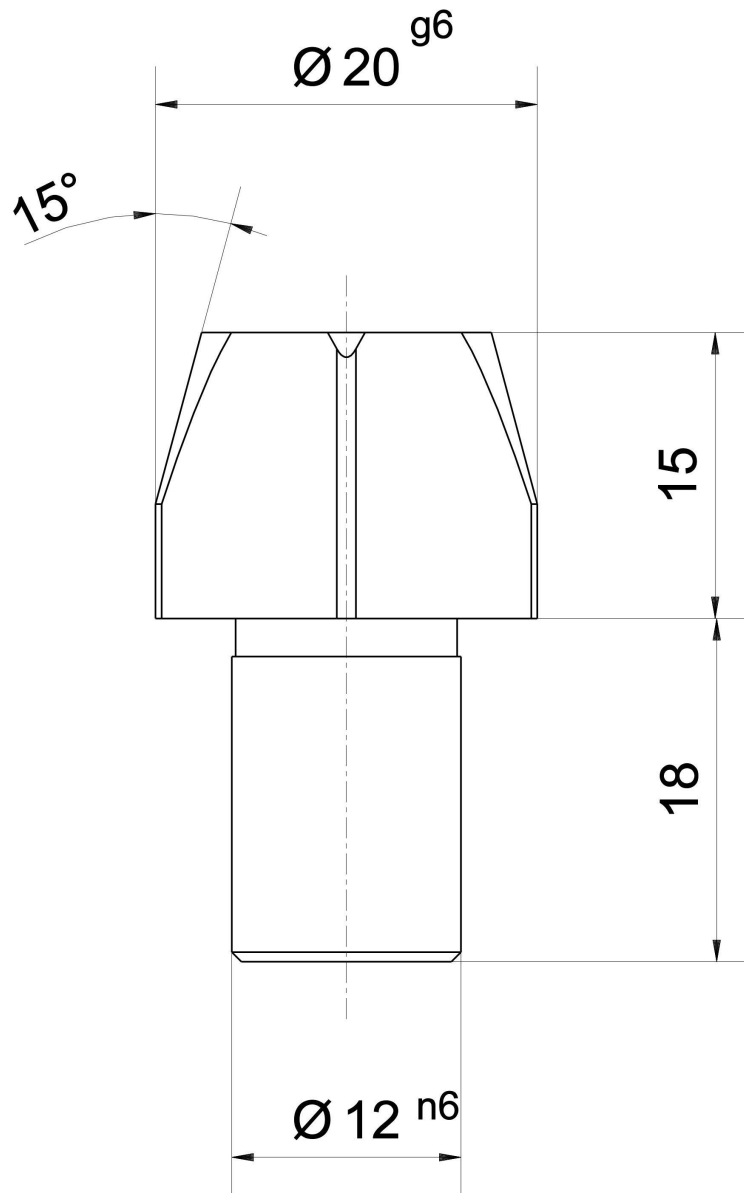


LOCATING PIN DIN 6321



Material: 18NiCrMo5

Treatment: Cementation+Hardening 55-60 HRC